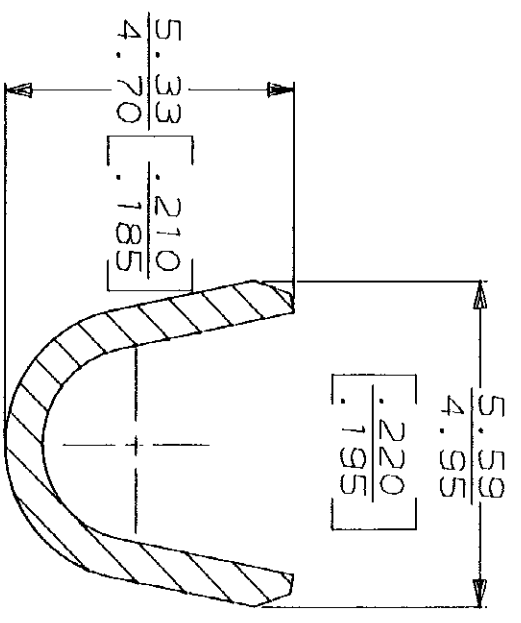
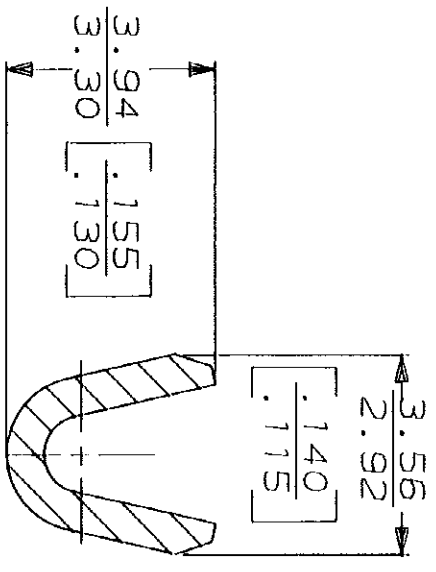
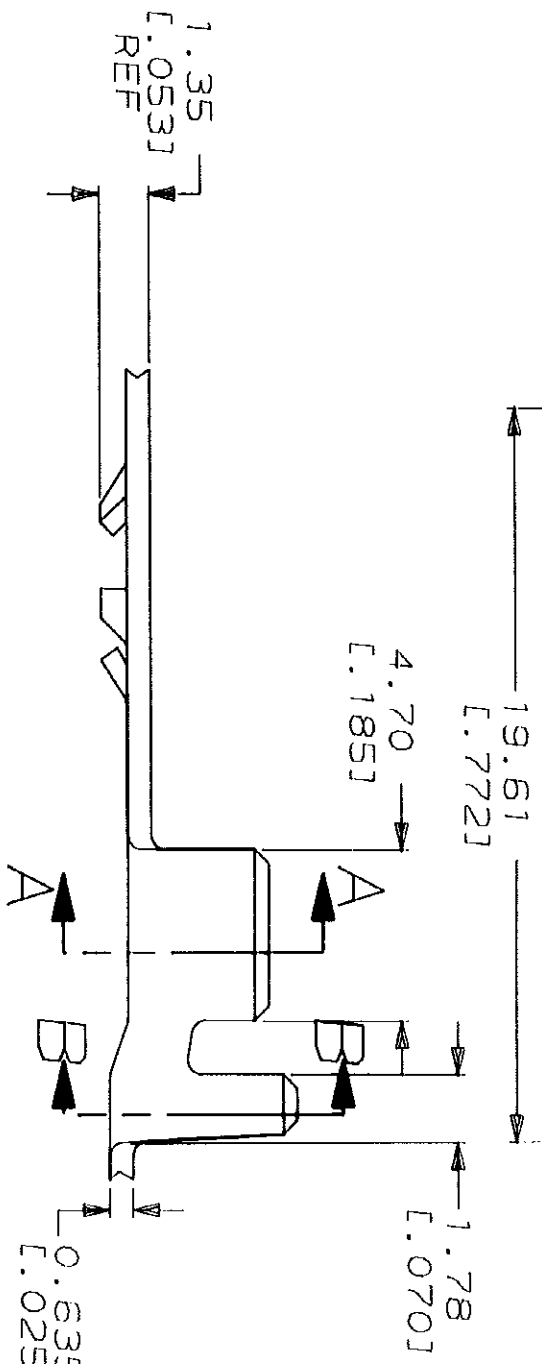
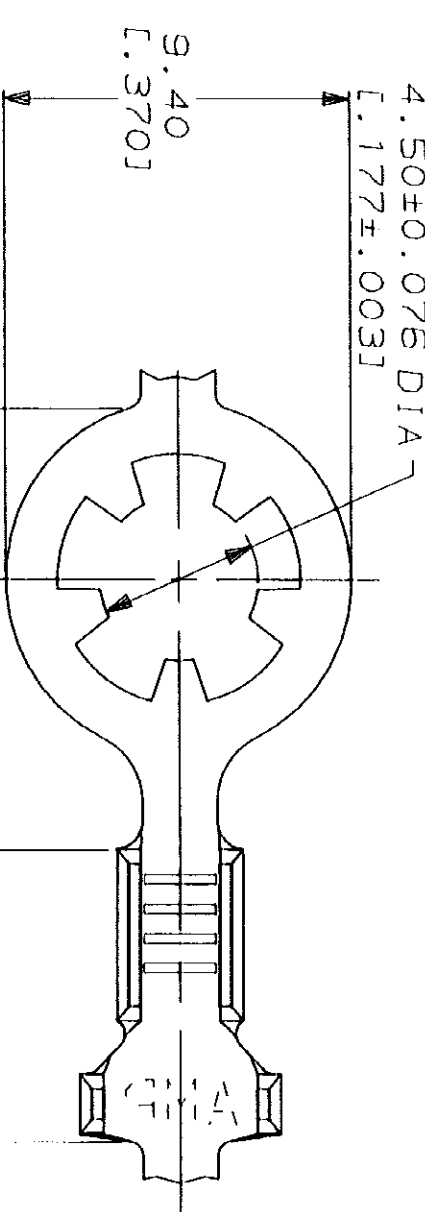


THIS DRAWING IS UNPUBLISHED. RELEASED FOR PUBLICATION BY AMP INCORPORATED. ALL INTERNATIONAL RIGHTS RESERVED.

LOC	DIST	P	ZONE	LTR	REV PER	AF-7153	REVISIONS	DESCRIPTION	DATE	APPD
AF	50									
									1/21/91	PF/GY



- 1 CONTINUOUS STRIP ON REELS
- 2 0.00203 [0.000080] MIN TIN PL PER MIL-T-10727
- 3 PARTS TO BE REELED WITH INTERLEAVE PAPER.

SECTION A-A
SCALE 8:1

SECTION B-B
SCALE 8:1

METRIC

TYPE	WIDTH	STRIP LENGTH ±0.38 [±.015]	TYPE	WIDTH	HEIGHT	WIRE
F	4.57 [0.180]	6.35 [0.250]	F	2.54 [0.100]	1.80 [0.071]	0.3mm ² [0.22]

FINISH		INSULATION RANGE		WIRE SIZE		PART NO	
#4 HARD BRASS		2.54-3.56 [0.100-.140]		0.3mm ² - 1.3mm ² [22-16] AWG		61436-2	
SEE TABLE						61436-1	
DO NOT SCALE PRINT. UNLESS SPECIFIED DIMENSIONS IN mm [INCHES] TOLERANCES ON: 1 PLG DEC ± 0.38 [0.015] ANGLES ±				DR 3/17/90 P FORTNEY		AMP INCORPORATED Harrisburg, Pa. 17105	
MATERIAL				CHK 3/2/90 JR RUTH		NAME	
				APPD 3/5/90 S YETTER		RING	
				APPD 3/12/90 R KUZO		AMP INCORPORATED	
				PRODUCT SPEC		Harrisburg, Pa. 17105	
				APPLICATION SPEC		DRAWING NO	
				WEIGHT		CAGE CODE	
				SCALE		00779	
				5:1		61436	
						SHEET	
						1 OF 1	